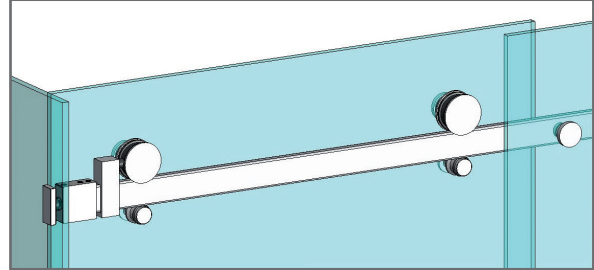
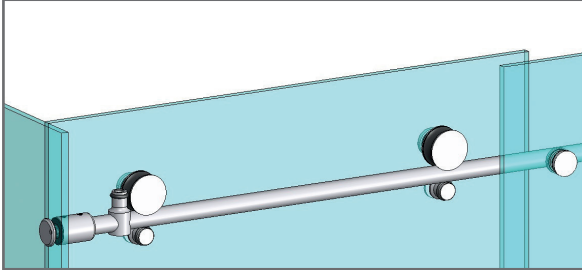


Hip-ZAC CLONE system

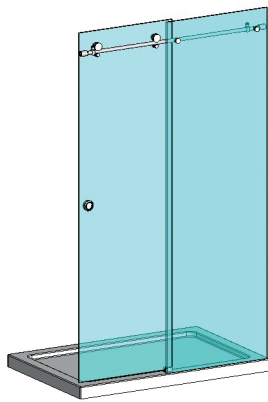
D10W60

D10W60Q



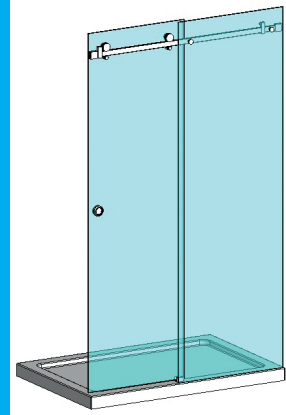
A

Muro-muro
 Muro-muro
 Wall-wall
 Wand-Wand



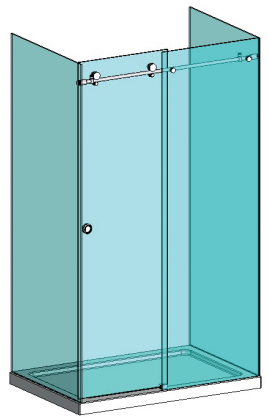
A

Muro-muro
 Muro-muro
 Wall-wall
 Wand-Wand



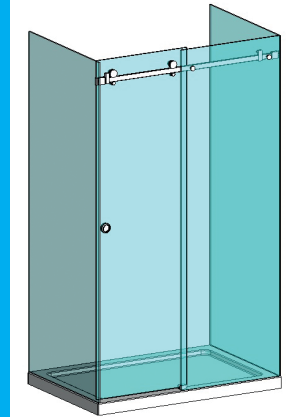
B

Vetro-vetro
 Vidrio-vidrio
 Glass-glass
 Glas-Glas



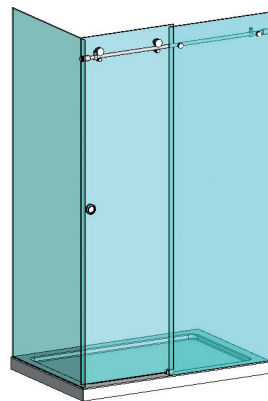
B

Vetro-vetro
 Vidrio-vidrio
 Glass-glass
 Glas-Glas



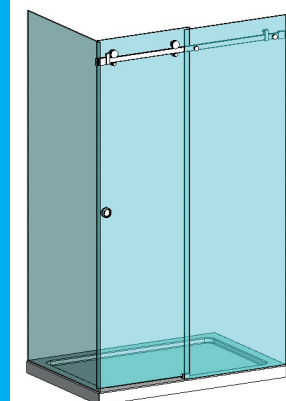
C

Vetro-muro
 Vidrio-muro
 Glass-wall
 Glas-Wand



C

Vetro-muro
 Vidrio-muro
 Glass-wall
 Glas-Wand



D10W60



HIP-ZAC CLONE system

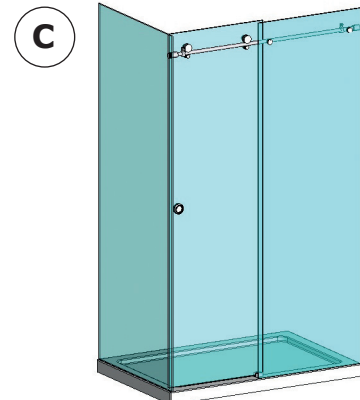
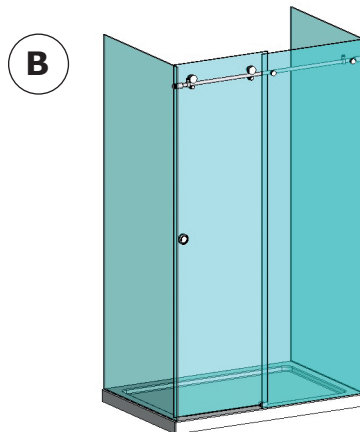
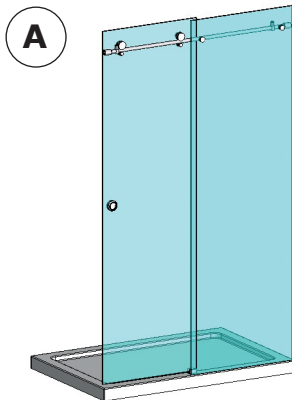
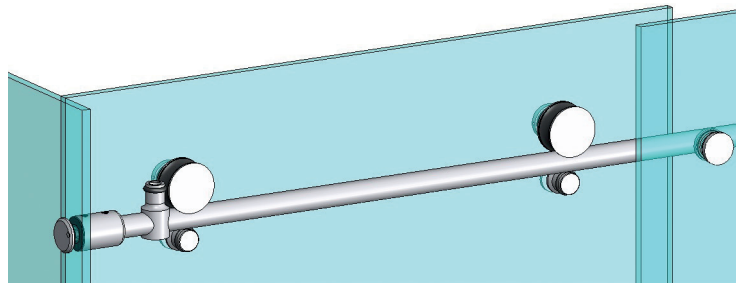
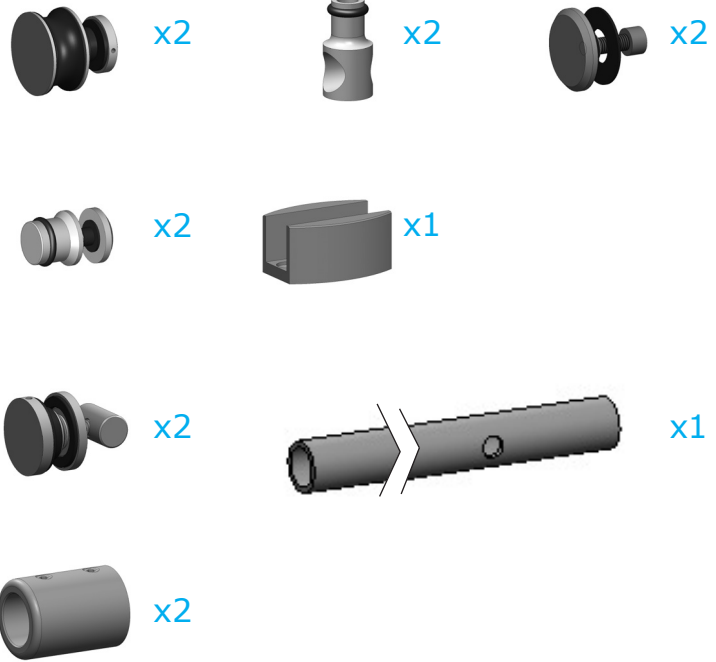
• Kit Hip-ZAC Clone system per box doccia da 1200 a 1800mm. Versioni possibili: Muro-Muro; Vetro-Vetro; Vetro-Muro. Sezione TONDA.

• Sistema Hip-zac Clone para box ducha 1200-1800mm. Versiones disponibles: muro-muro; vidrio-vidrio y vidrio-muro. Sección REDONDA.

• Hip-zac Clone system for shower boxes 1200-1800mm. Available versions: wall-wall; glass-glass and glass-wall. ROUNDED section.

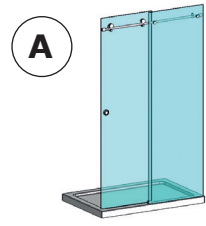
• Hip-zac Clone System für Duschen 1200-1800mm Möglich Ausführung: Wand-Wand, Glas-Glas, Glas-Wand. RUNDSCHNITT.

Compreso / Included

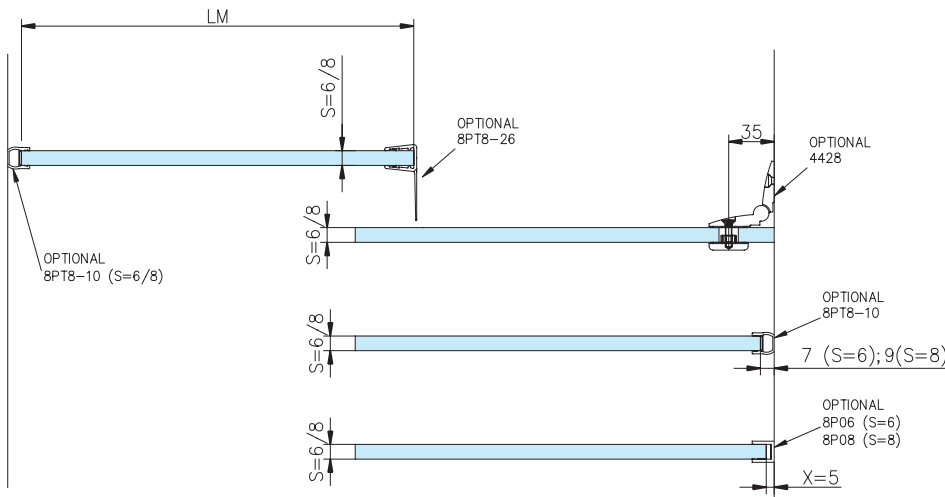
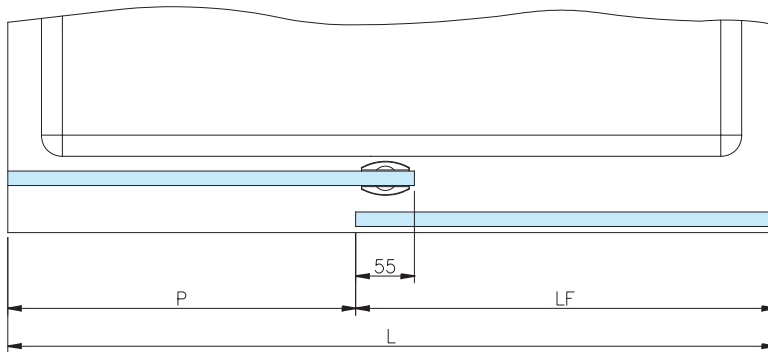
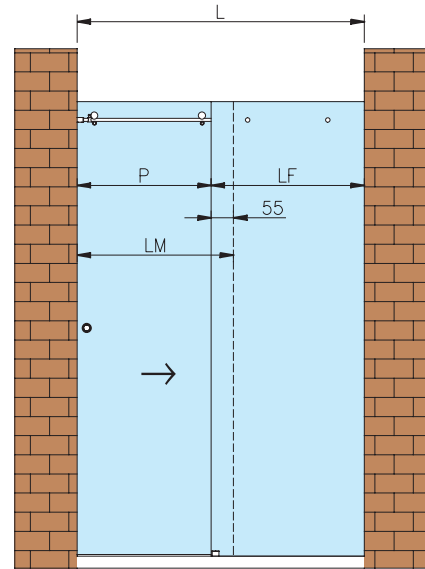
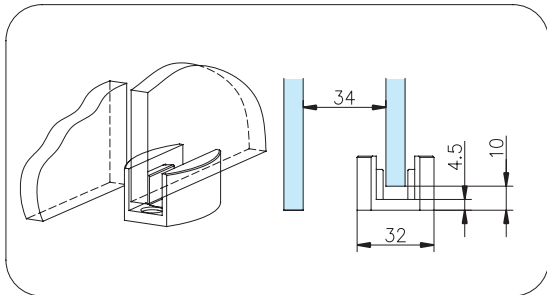
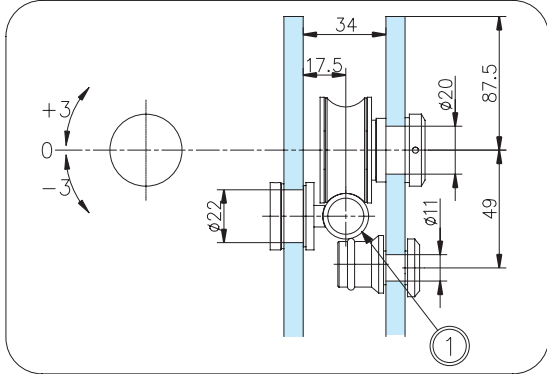


D10W60

DATI (Data)	$L = \text{min } 1200 \div \text{max } 1800$	(mm)
DEFINIRE (Define)	$P = \text{min } 450 \div \text{max } (L/2-55)$	(mm)
CALCOLARE (Calculate)	$LM = (P+55)$	(mm)
CALCOLARE (Calculate)	$LF = (L-P)$	(mm)

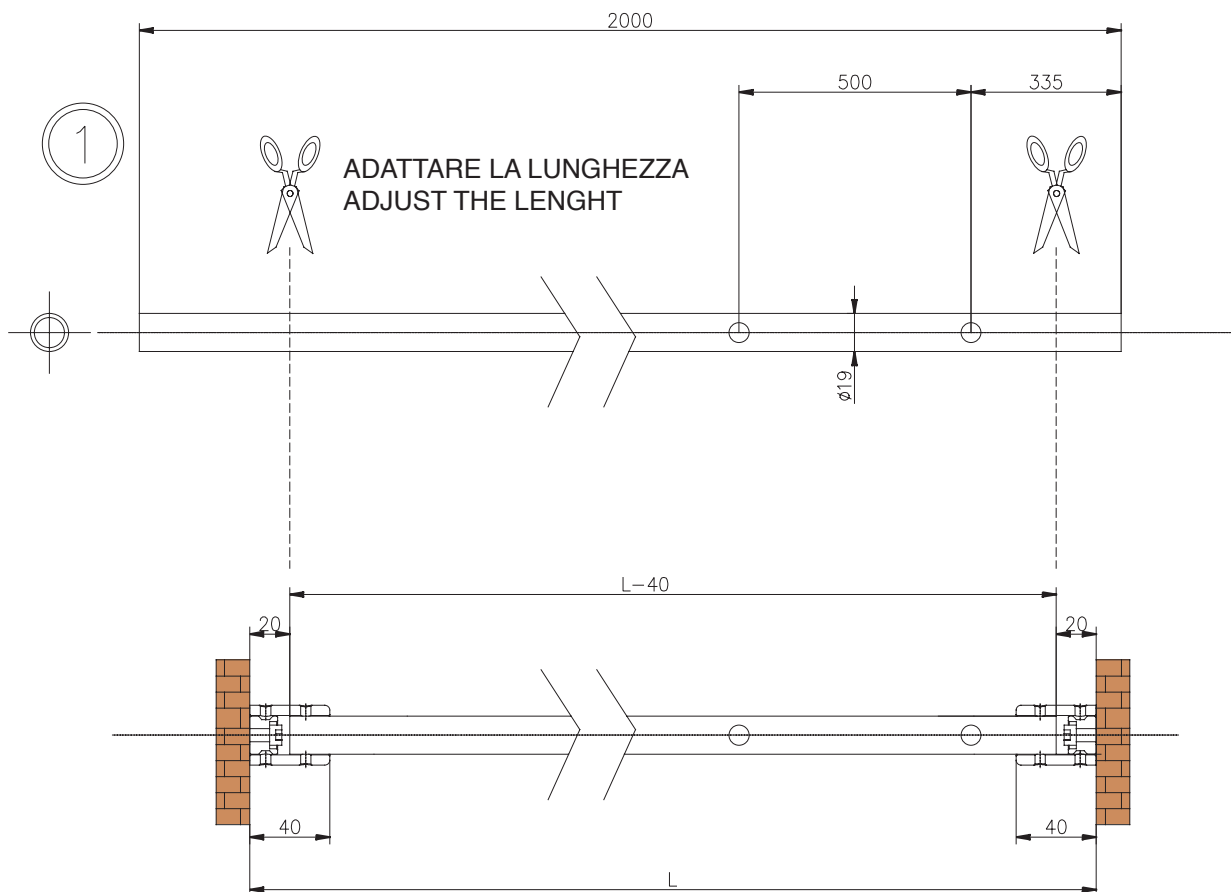
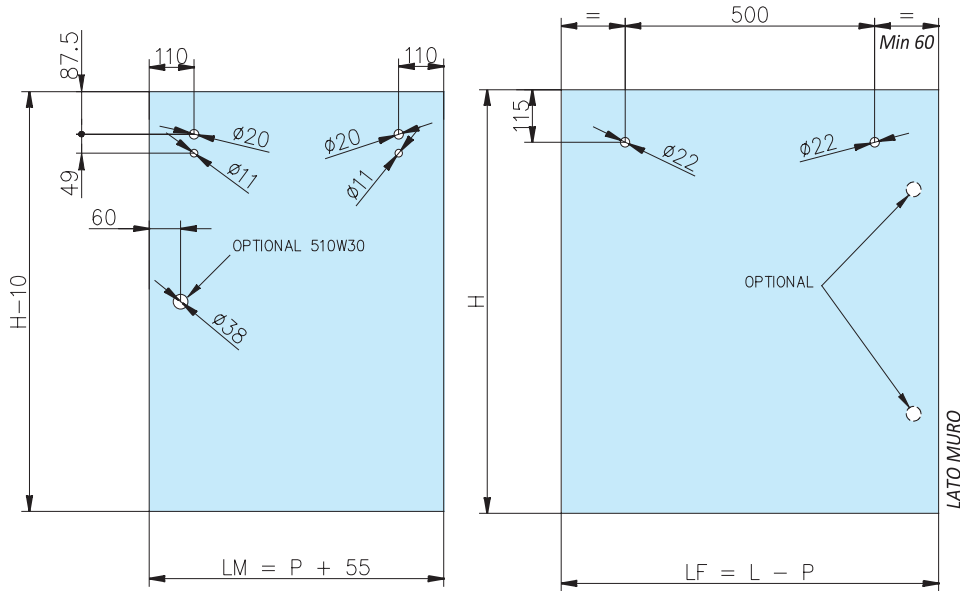
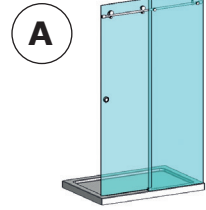


Hip-ZAC CLONE system



D10W60

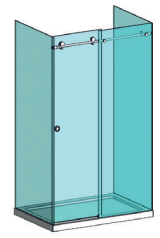
Hip-ZAC CLONE system



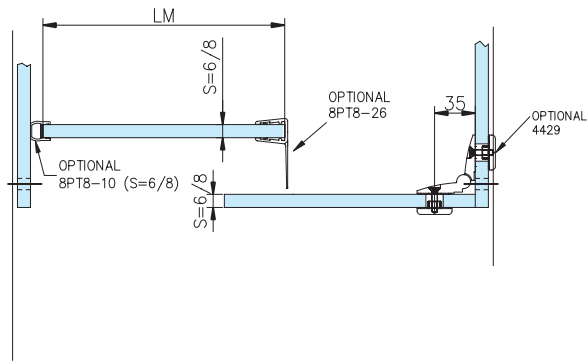
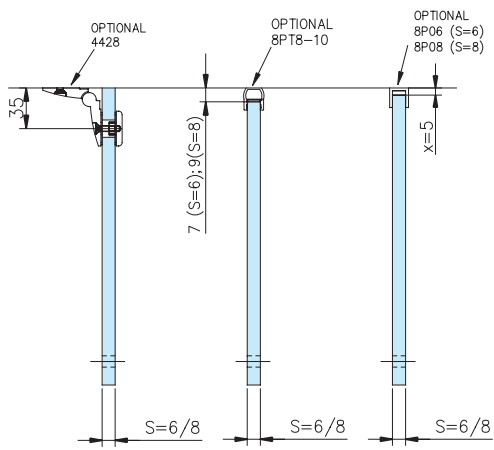
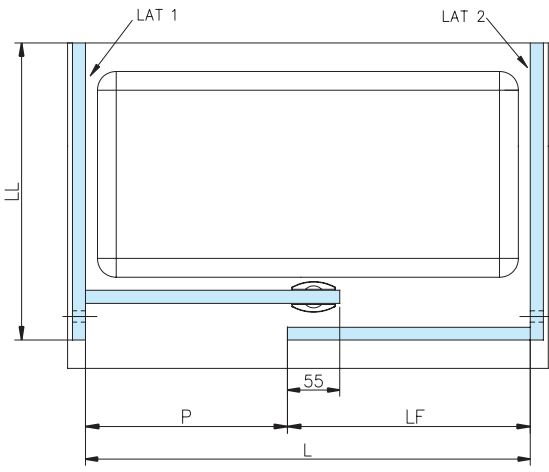
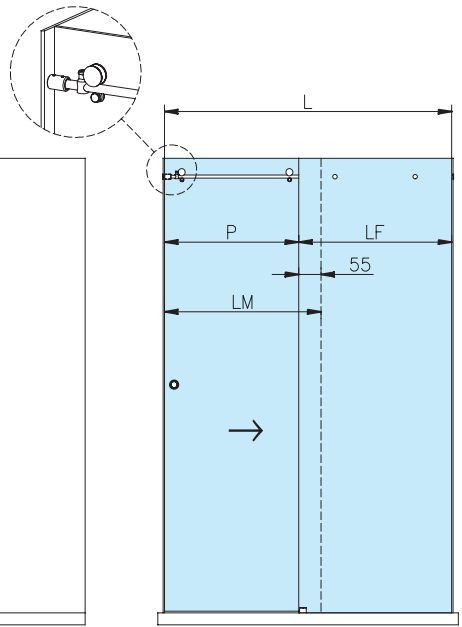
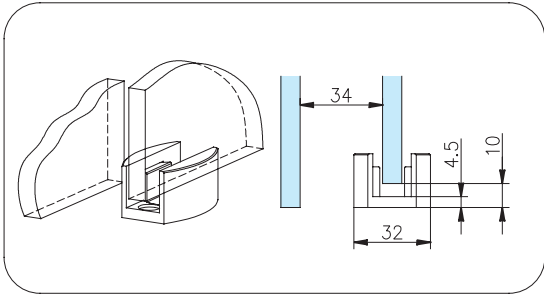
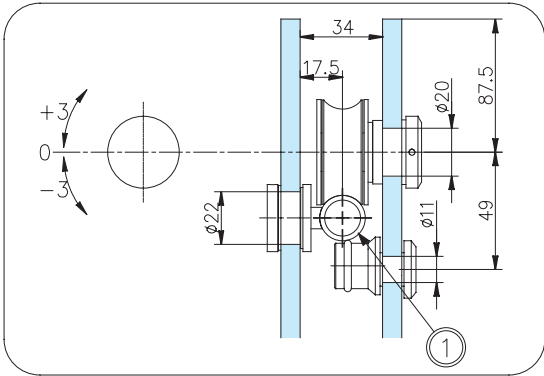
D10W60

DATI (Data)	$L = \text{min } 1200 \div \text{max } 1800$	(mm)
DEFINIRE (Define)	$P = \text{min } 450 \div \text{max } (L/2-55)$	(mm)
CALCOLARE (Calculate)	$LM = (P+55)$	(mm)
CALCOLARE (Calculate)	$LF = (L-P)$	(mm)

B

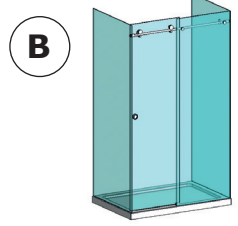


Hip-ZAC CLONE system

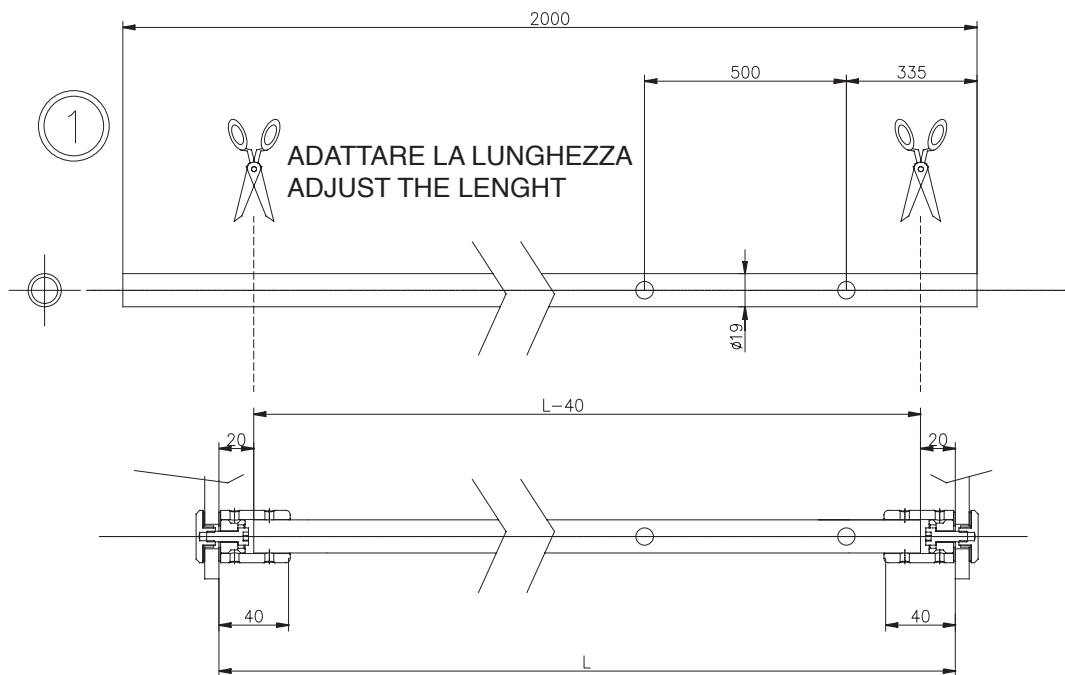
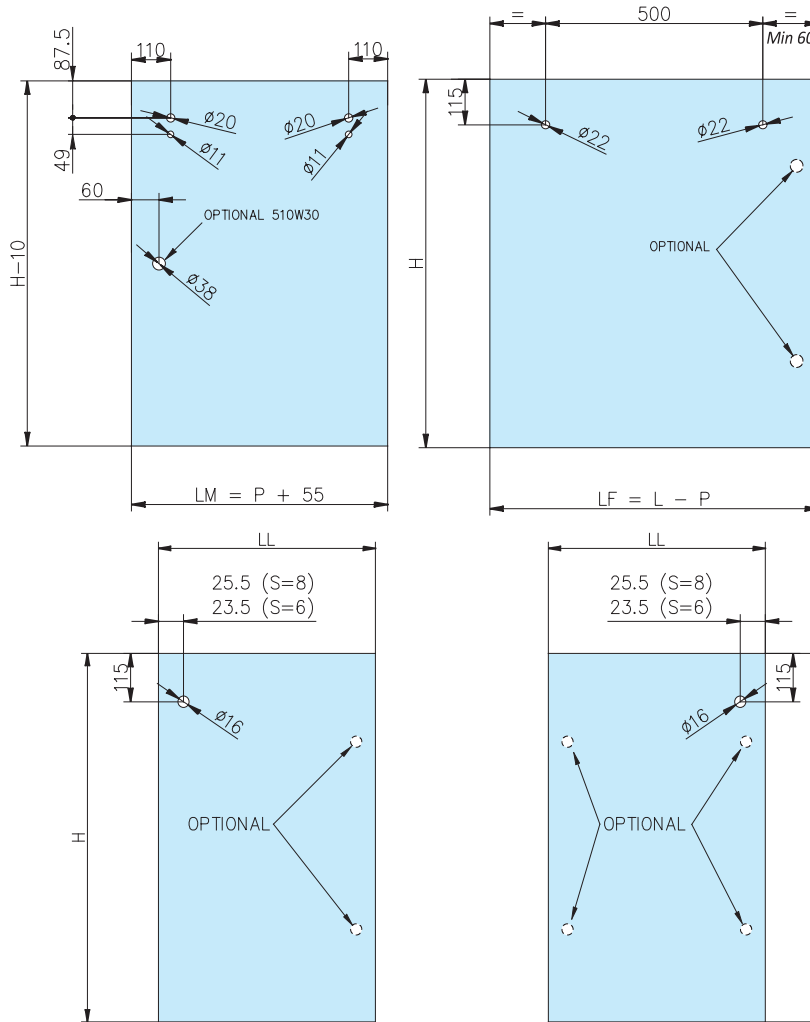


Sistemi - Sistemas - Systems - Systeme

D10W60



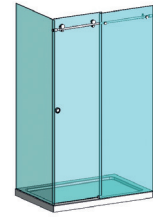
Hip-ZAC CLONE system



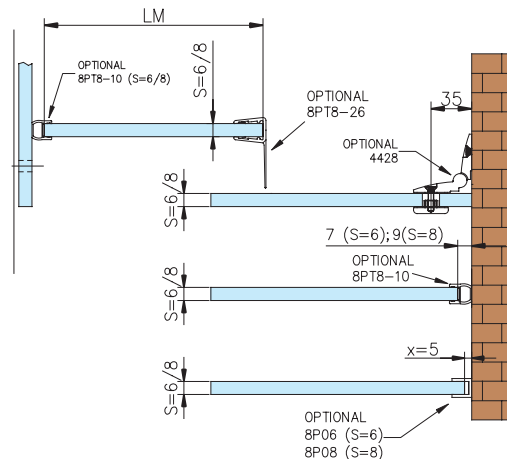
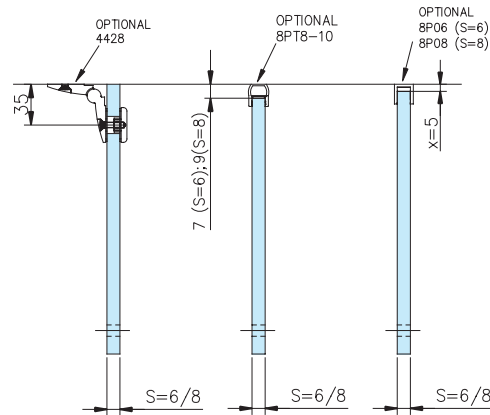
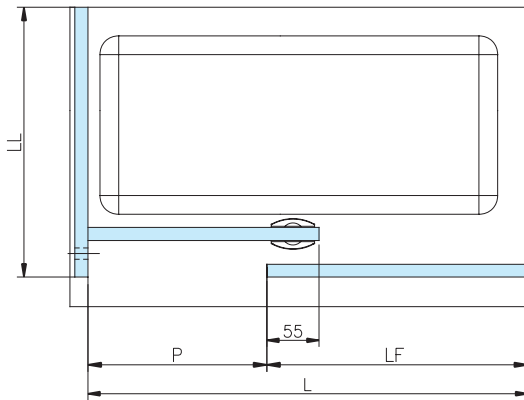
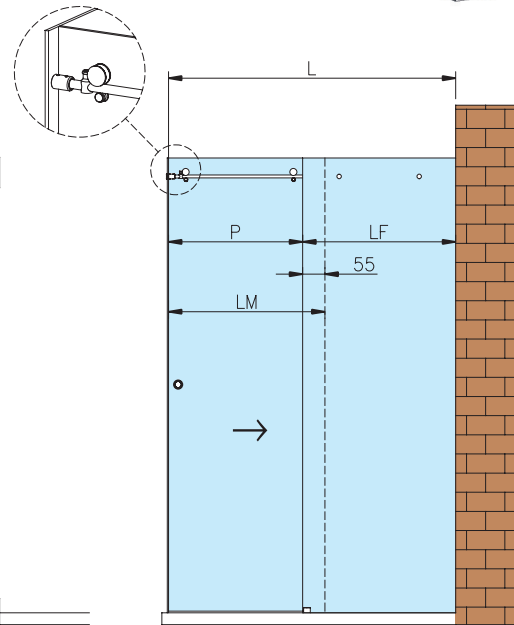
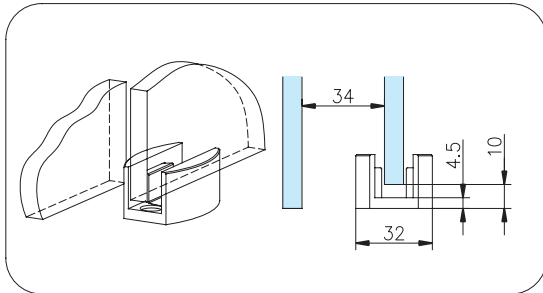
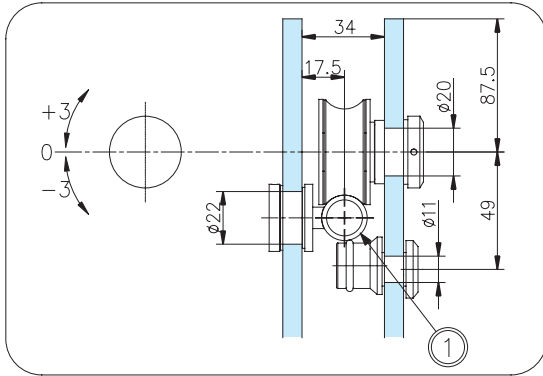
D10W60

DATI (Data)	L = min 1200 ÷ max 1800	(mm)
DEFINIRE (Define)	P = min 450 ÷ max (L/2-55)	(mm)
CALCOLARE (Calculate)	LM = (P+55)	(mm)
CALCOLARE (Calculate)	LF = (L-P)	(mm)

C

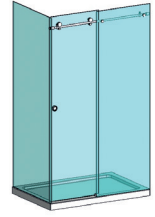


Hip-ZAC CLONE system

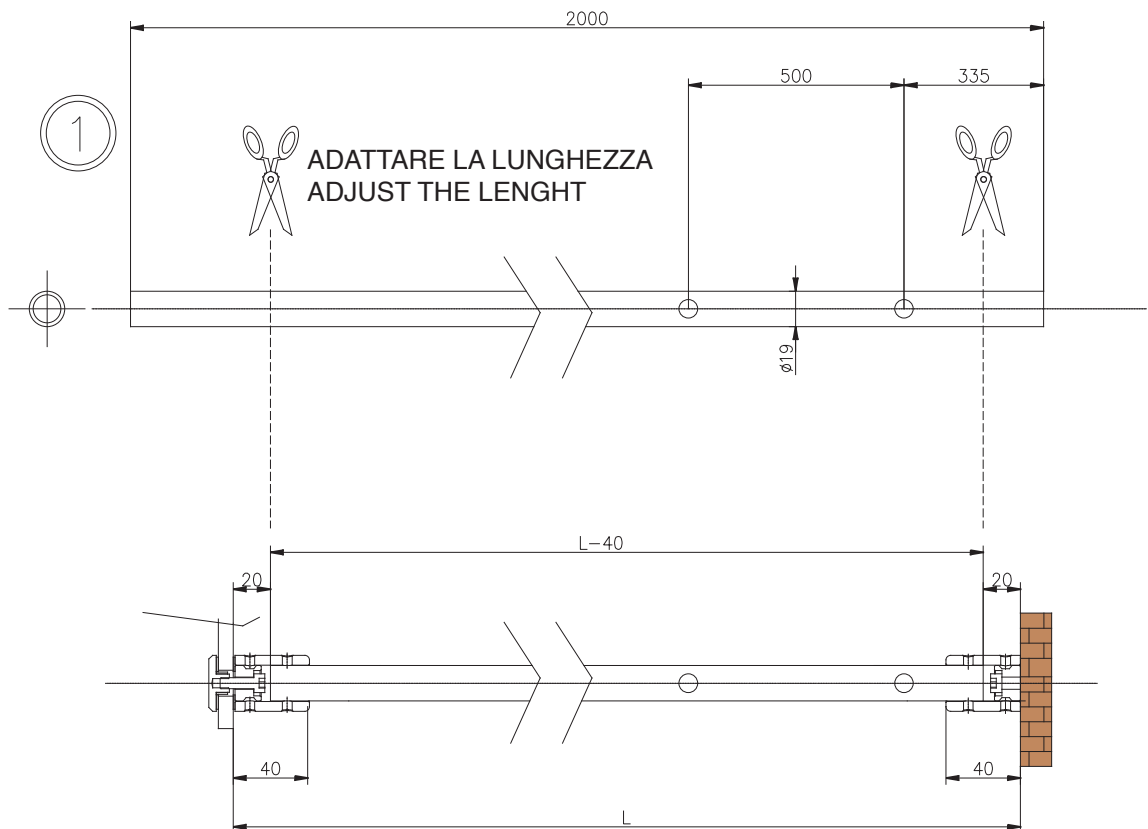
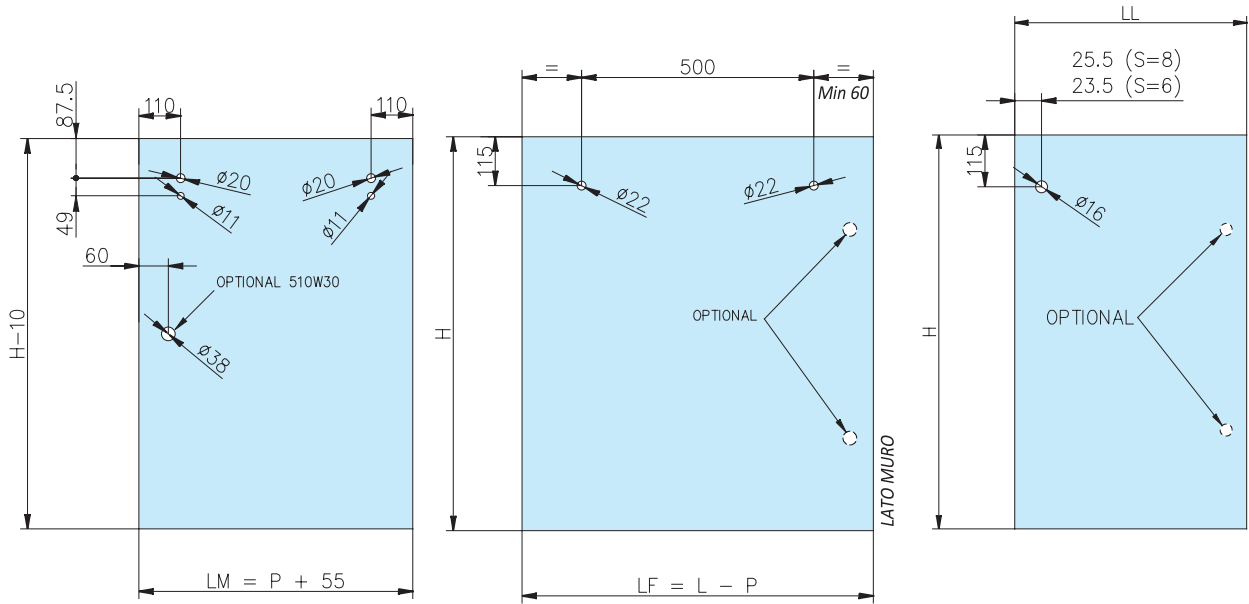


D10W60

C



Hip-ZAC CLONE system



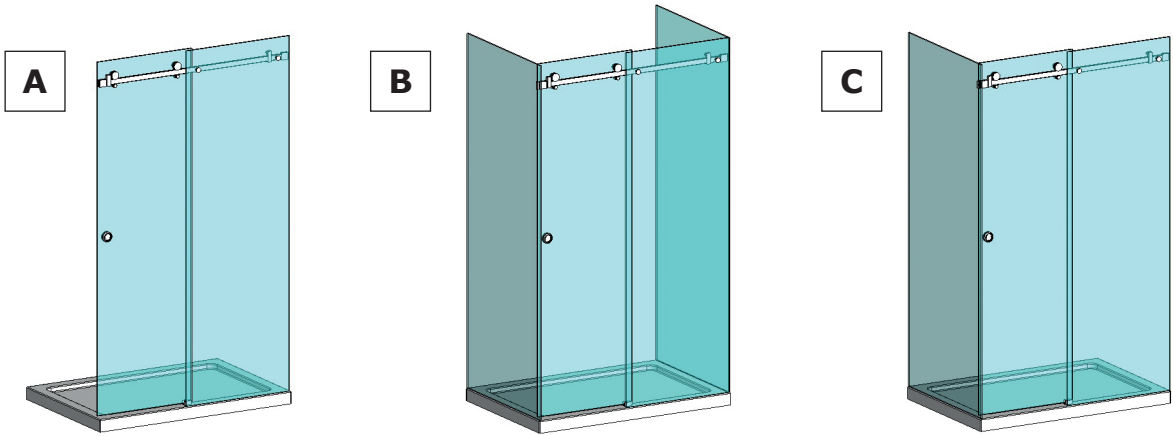
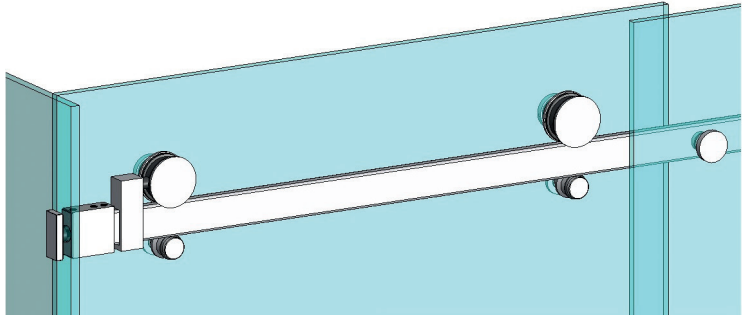
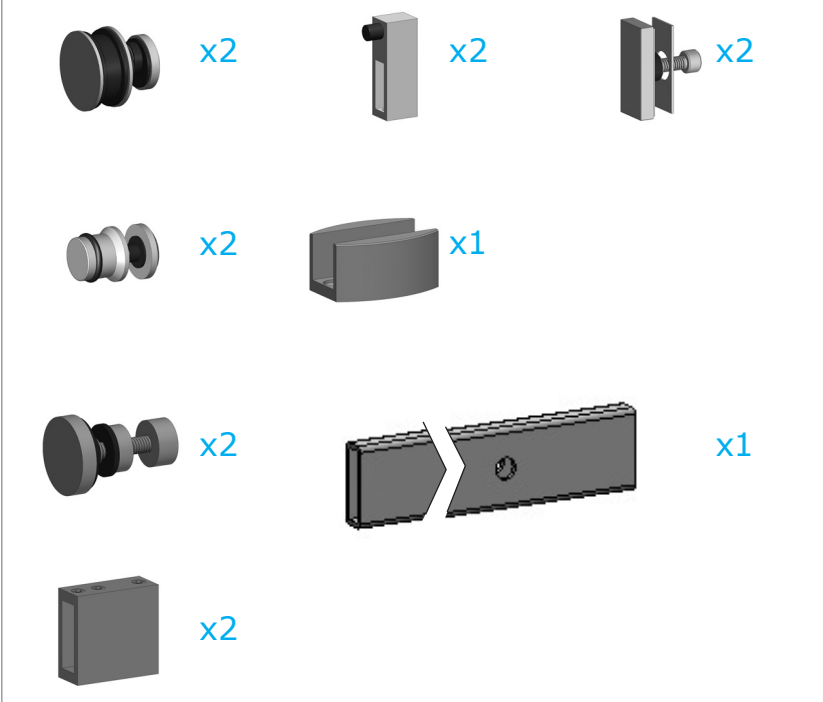
D10W60Q



HIP-ZAC CLONE system

- Kit Hip-ZAC Clone system per box doccia da 1200 a 1800mm. Versioni possibili: Muro-Muro; Vetro-Vetro; Vetro-Muro. Sezione QUADRA.
- Sistema Hip-zac Clone para box ducha 1200-1800mm. Versiones disponibles: muro-muro; vidrio-vidrio y vidrio-muro. Sección CUADRADA.
- Hip-zac Clone system for shower boxes 1200-1800mm. Available versions: wall-wall; glass-glass and glass-wall. SQUARED section
- Hip-zac Clone System für Duschen 1200-1800mm. Möglich Ausführung: Wand-Wand, Glas-Glas, Glas-Wand. VIERKANTSCHNITT.

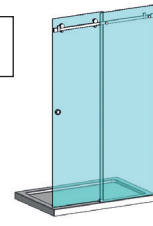
Compreso / Included



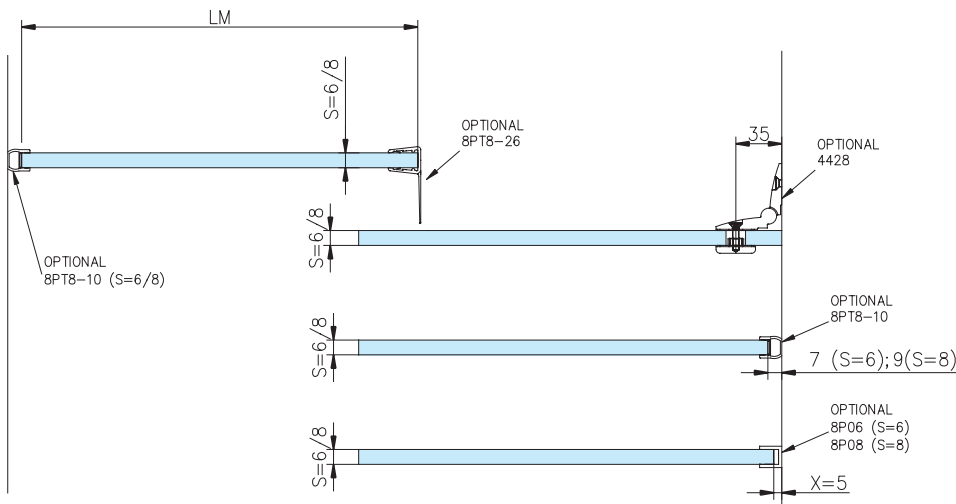
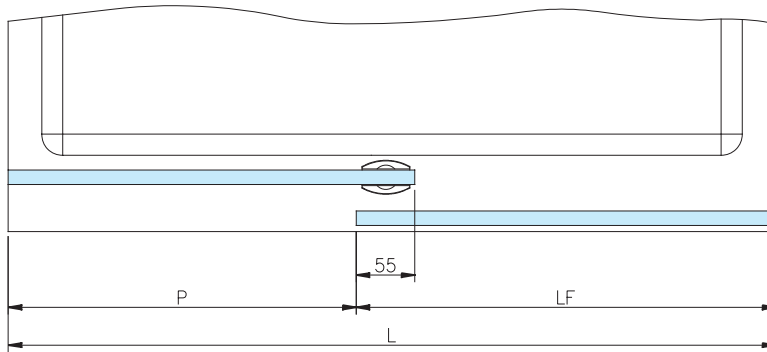
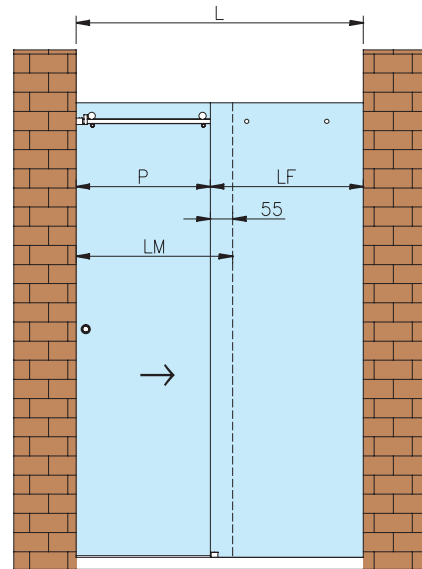
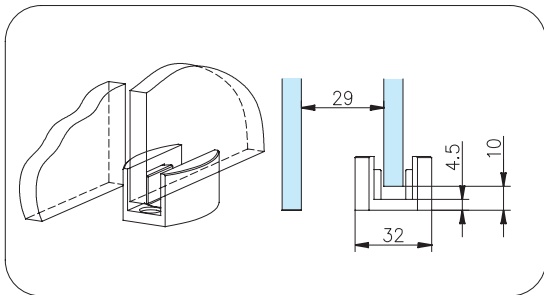
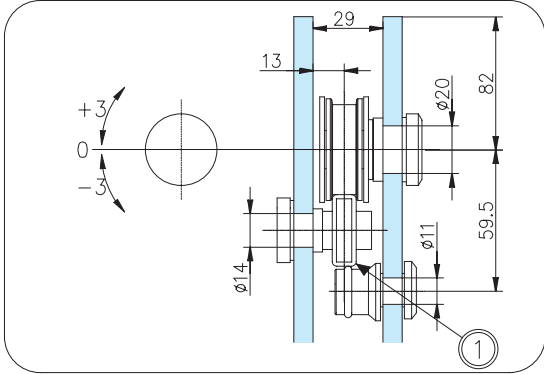
D10W60Q

DATI (Data)	$L = \text{min } 1200 \div \text{max } 1800$	(mm)
DEFINIRE (Define)	$P = \text{min } 450 \div \text{max } (L/2-55)$	(mm)
CALCOLARE (Calculate)	$LM = (P+55)$	(mm)
CALCOLARE (Calculate)	$LF = (L-P)$	(mm)

A

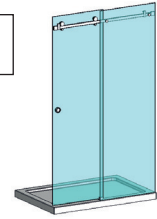


Hip-ZAC CLONE system

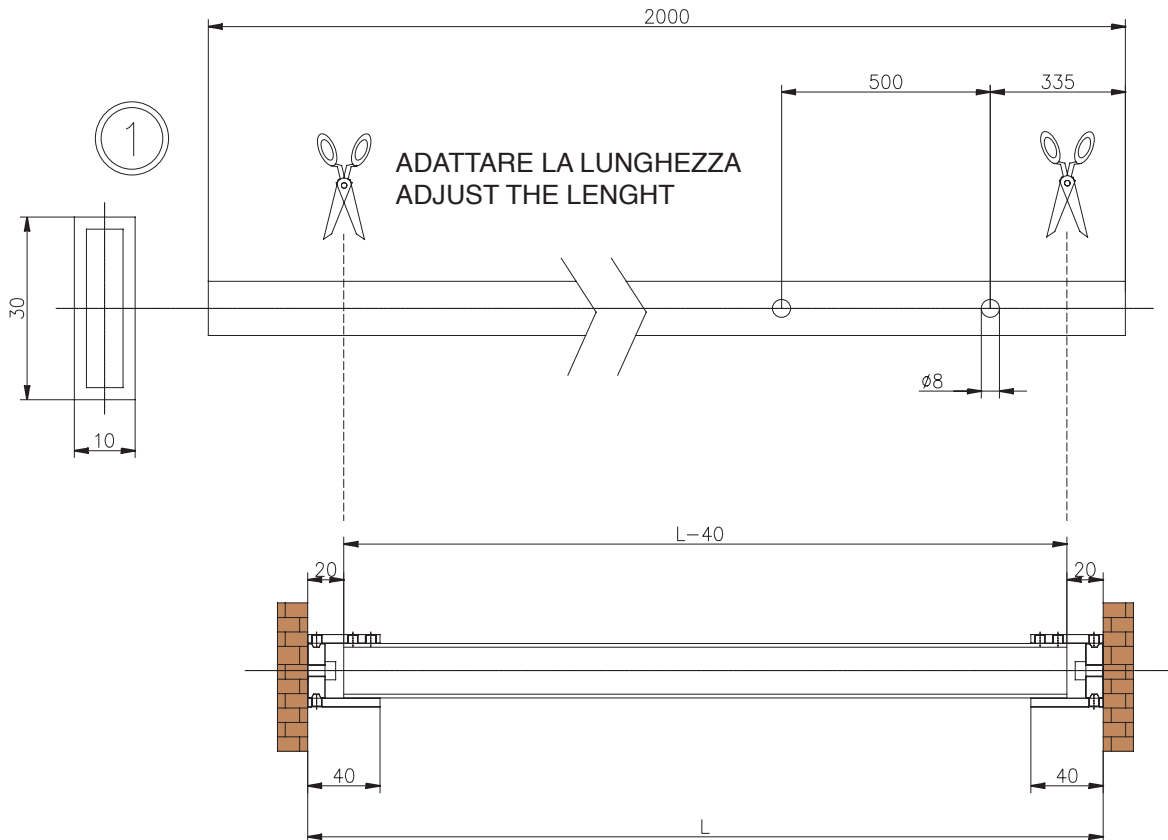
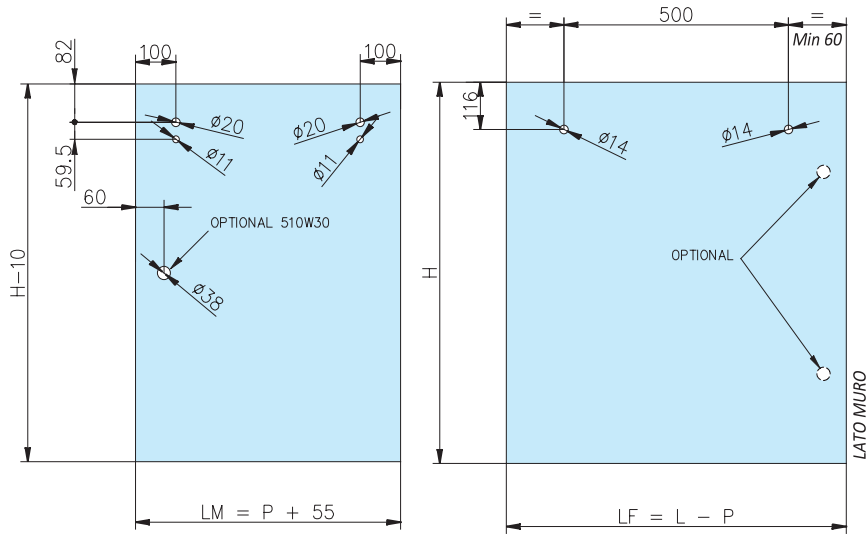


D10W60Q

A



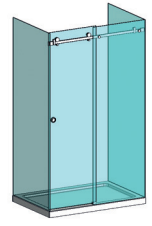
Hip-ZAC CLONE system



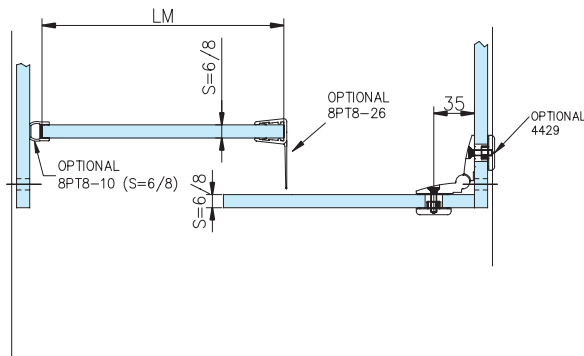
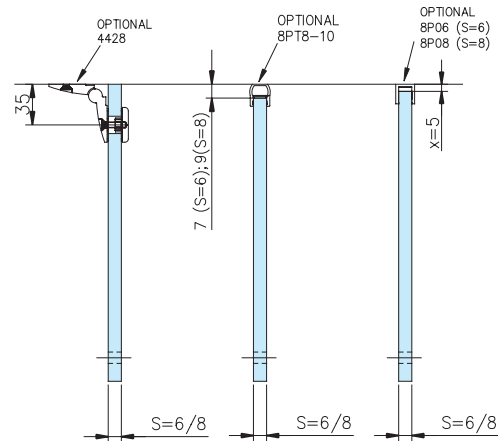
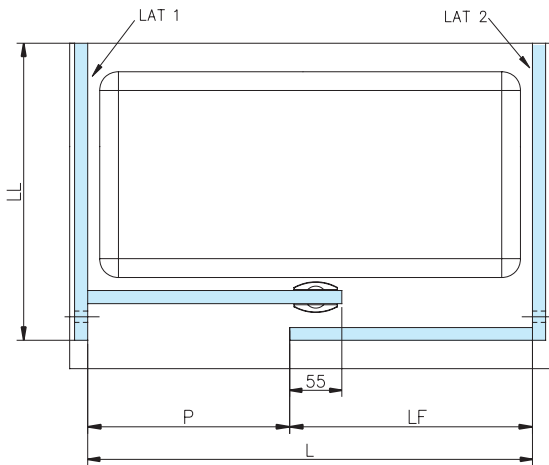
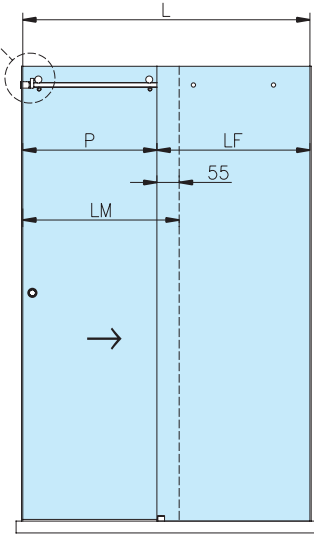
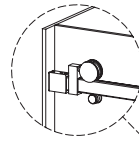
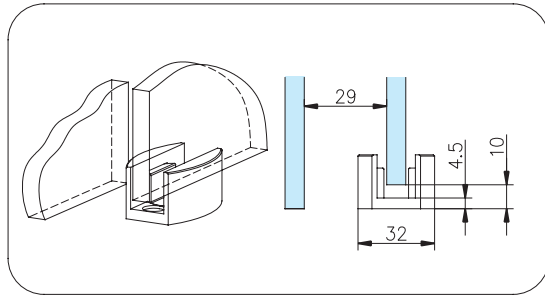
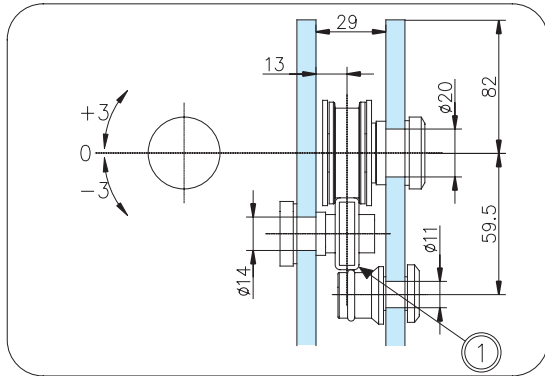
D10W60Q

DATI (Data)	$L = \text{min } 1200 \div \text{max } 1800$	(mm)
DEFINIRE (Define)	$P = \text{min } 450 \div \text{max } (L/2-55)$	(mm)
CALCOLARE (Calculate)	$LM = (P+55)$	(mm)
CALCOLARE (Calculate)	$LF = (L-P)$	(mm)

B

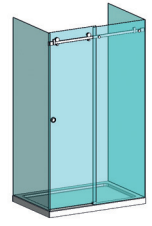


Hip-ZAC CLONE system

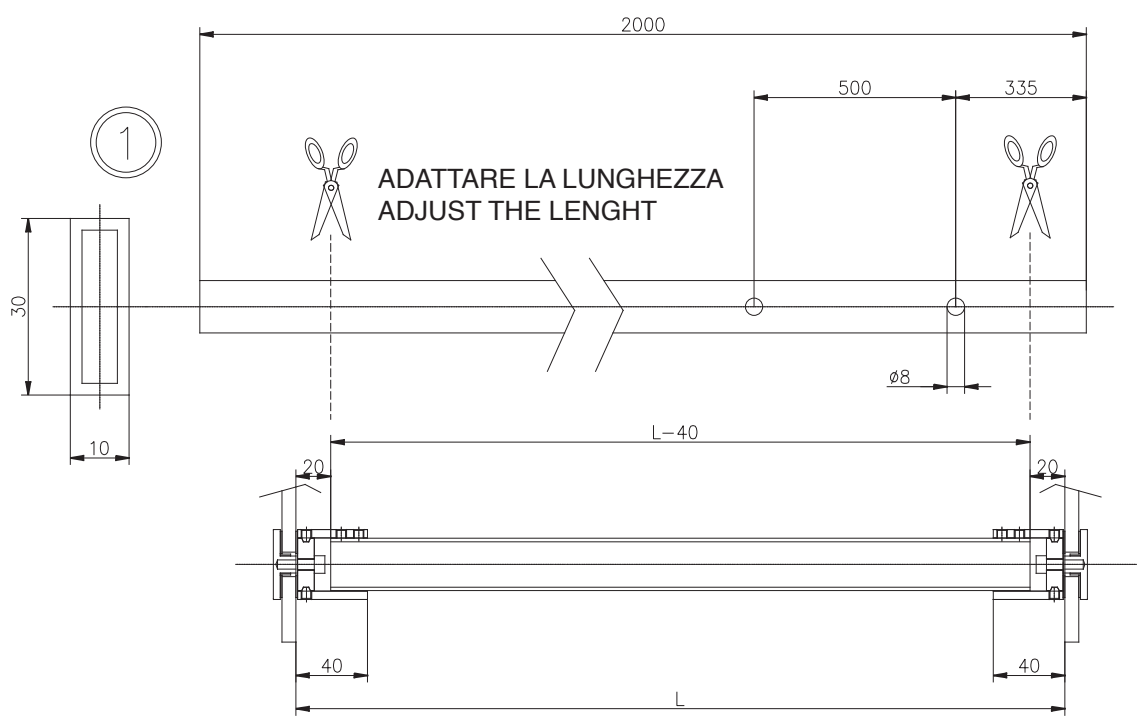
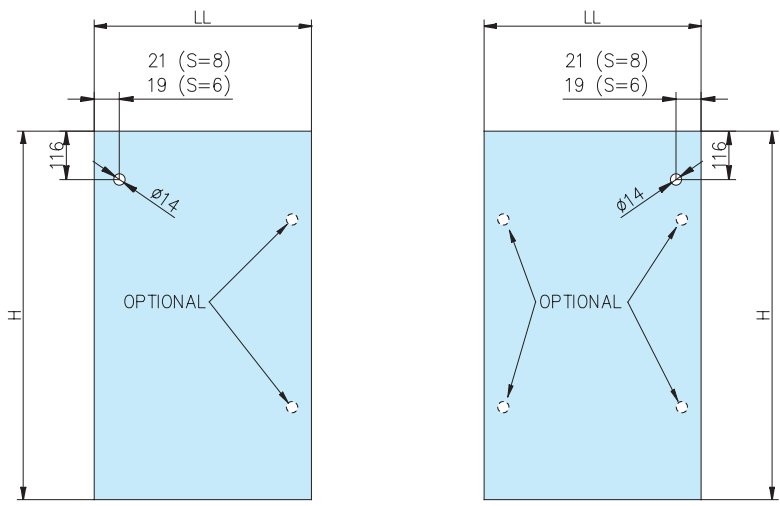
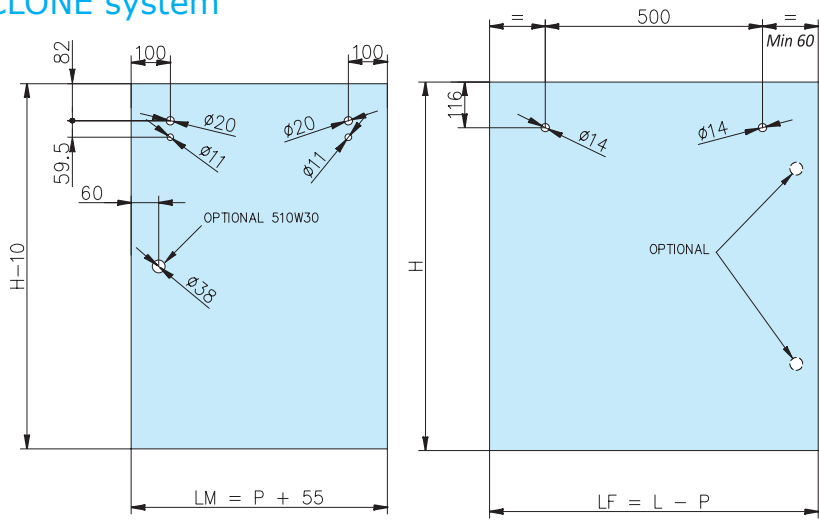


D10W60Q

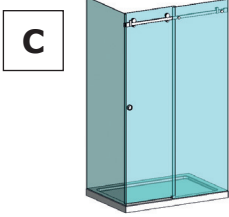
B



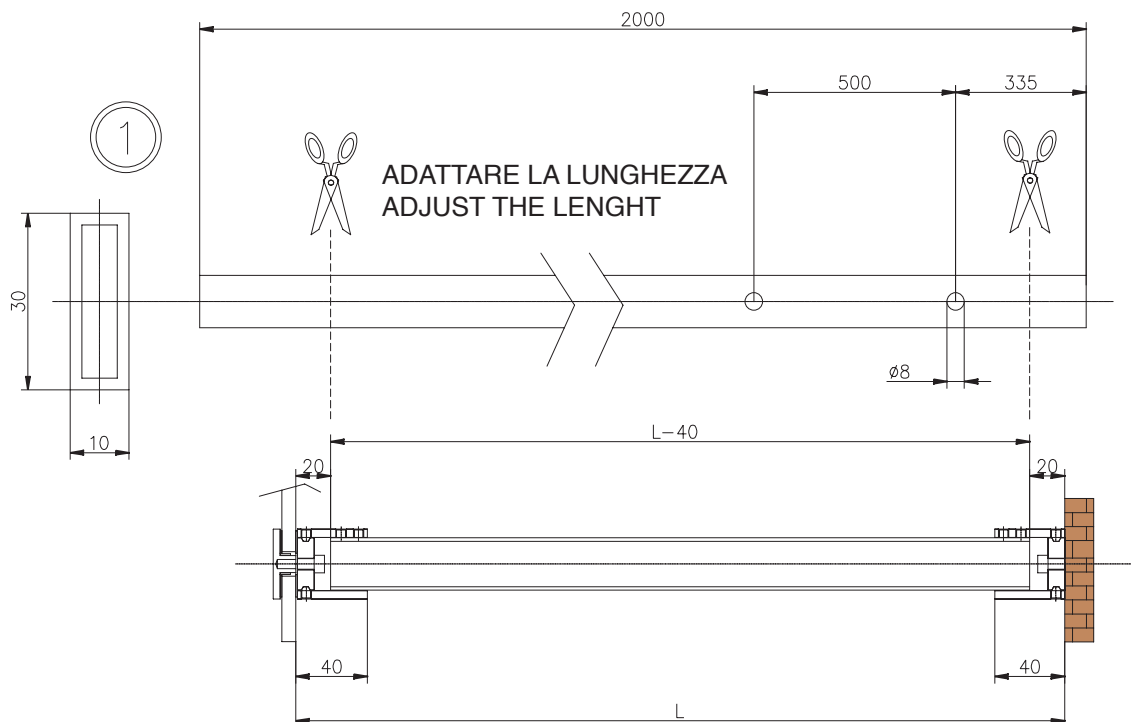
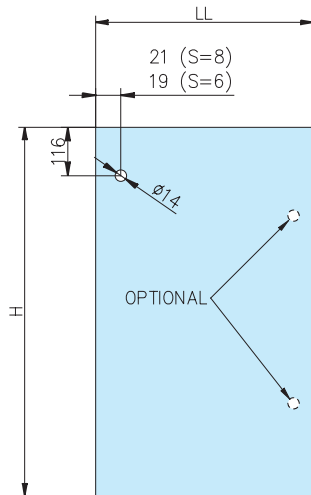
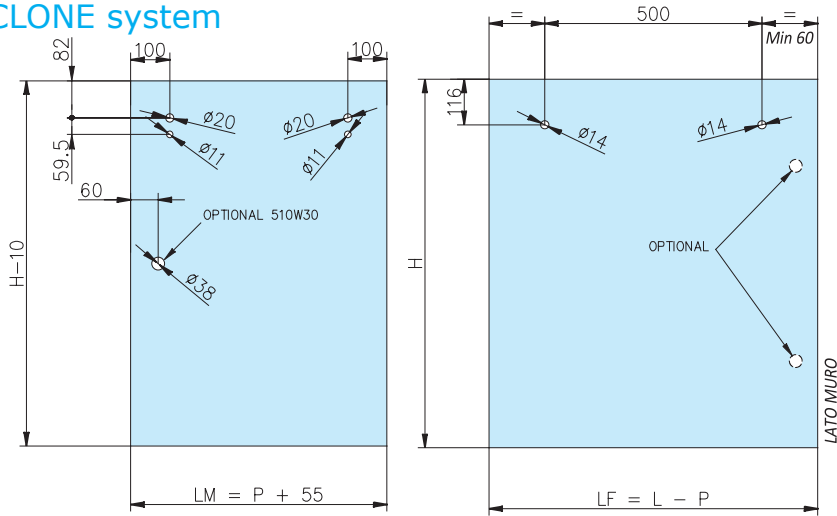
Hip-ZAC CLONE system



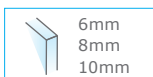
D10W60Q



Hip-ZAC CLONE system



510W30 Hip-ZAC CLONE system



- Anello per porta scorrevole Ø 57.
- Casquillo para puerta corredera Ø57.
- Sliding door ring Ø 57mm.
- Ring für Schiebetür Ø 57mm.

